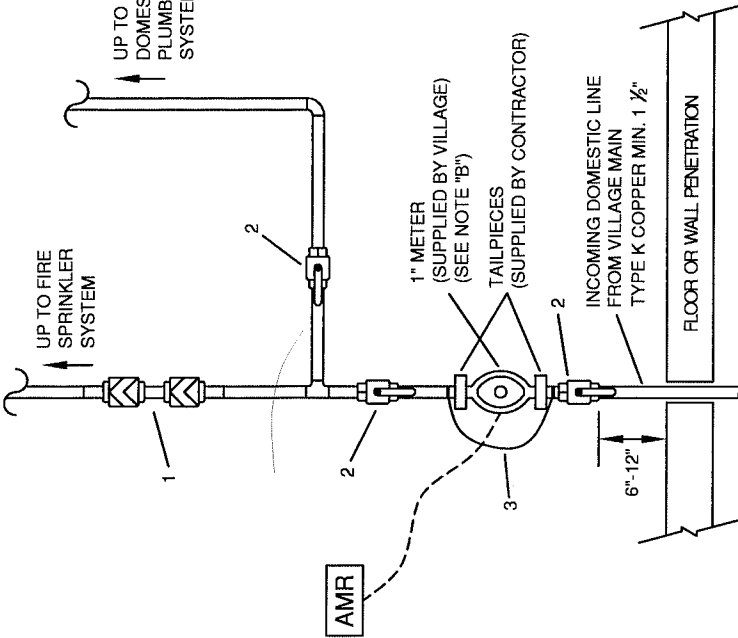
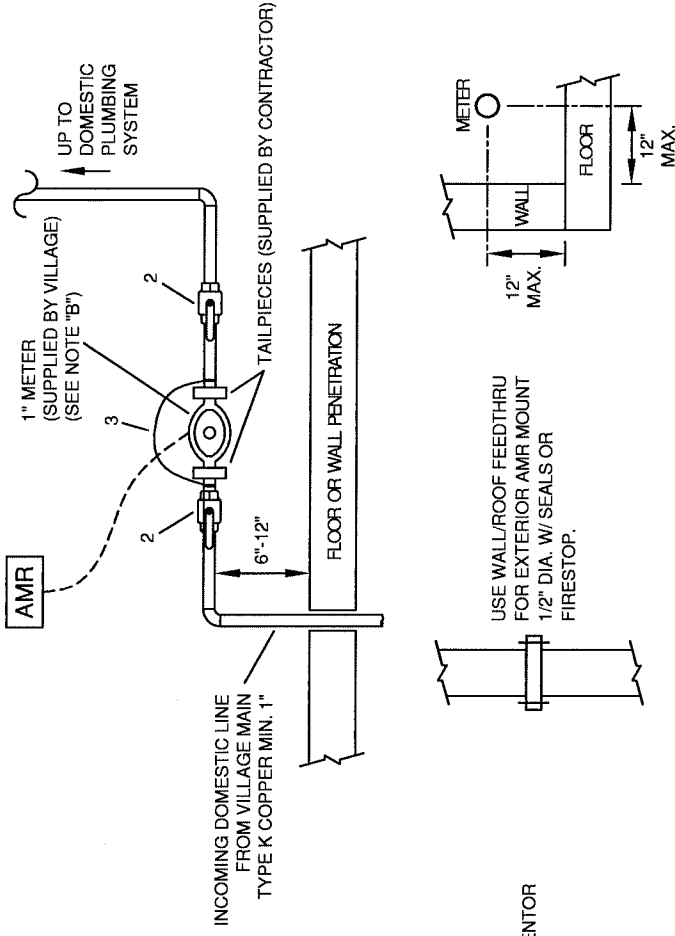


DOMESTIC RISER DIAGRAM WITH FIRE SUPPRESSION



- 1 - BACKFLOW PREVENTOR
- 2 - BALL VALVE
- 3 - BONDING JUMPER

DOMESTIC RISER DIAGRAM WITHOUT FIRE SUPPRESSION



NOTES:

- A. ALL BRASS FITTINGS, SUCH AS TAILPIECES, VALVES, FLANGES, STRAINERS, SHALL BE NO LEAD, LOW-LEAD OR ENVIROBRASS CONFORMING TO 2014 EPA REQUIREMENTS, SHALL BE CLEARLY LABELED OR MARKED, AND SHALL BE PROVIDED BY THE CONTRACTOR.
- B. ALL METERS MUST BE INSTALLED IN THE HORIZONTAL POSITION AND A MAXIMUM OF 12" FROM WALL OR FLOOR PENETRATION. THE METER CAN NOT REST ON THE FLOOR.
- C. SUFFICIENT SPACE MUST BE PROVIDED TO ACCESS AND MAINTAIN THE METER AND BACK FLOW DEVICE. ALL METERS & OTHER DEVICES MUST BE ADEQUATELY SUPPORTED BY PROPER PIPE/DEVICE SUPPORTS.
- D. THE METER MAY NOT BE LOCATED IN A CRAWL SPACE OR OTHER UNHEATED AREA.
- E. CONTRACTOR TO PROVIDE TAILPIECES MUELLER H-10896 FOR 3/4" & 1" METERS.
RECOMMENDED SUPPLIERS:
HD WATERWORKS (630)665-1800
ZIEBELL (847)364-0670
HBK (847)202-4389
- F. PROVIDE CERTIFICATION OF BACKFLOW PREVENTOR TO PUBLIC WORKS BEFORE REQUESTING OCCUPANCY.
- G. USE OF A SPOOL PIECE, METER BYPASS, OR USE OF WATER WITHOUT A METER IS PROHIBITED, AND SUBJECT TO PENALTIES.
- H. AMR MODULE MUST BE INSTALLED AS HIGH AS POSSIBLE ON CLOSEST PERIMETER WALL.
- I. NO DISSIMILAR METALS WITHOUT DIELECTRIC SEPARATION.
- J. BONDING JUMPER MUST BE INSTALLED PRIOR TO REQUESTING OCCUPANCY.
- K. IF THE METER IS TO BE INSTALLED BEHIND A FINISHED WALL, AN ACCESS PANEL OF AT LEAST 18"x18" SHALL BE INSTALLED FOR METER ACCESS OR MAINTENANCE.
RECOMMENDED MANUFACTURERS: ACUDOR; BAUCO; ELMDOR; KARP.

WATER METER DIMENSIONS

WATER METER SIZE	M55	MLP/M25
LAYING LENGTH (METER ONLY)	10-3/4"	7-1/2"
TAILPIECE LENGTH	2-5/8"	7-5/8"
TOTAL METER LAYING LENGTH	16"	12-1/2"
TAILPIPE PIPE/THREAD (NPT)	1"	3/4"
COUPLING NUT & SPUD THREAD	1-1/4" (1")	1" (3/4")

NOTE: METERS HAVE MALE THREAD ENDS

Village of Mount Prospect

Public Works Department
1700 W Central Rd

RESIDENTIAL DOMESTIC RISER DETAIL

Scale: None

Last Revised: 1-16